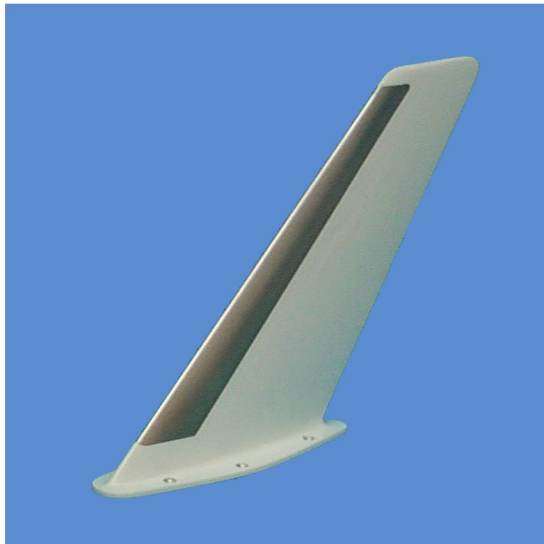


VHF S65-8280-18



U.S. Patent No. 4,509,053

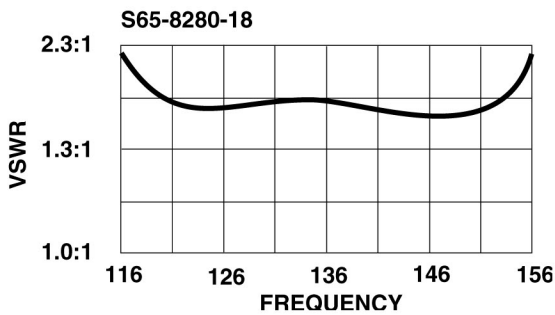
DESCRIPTION

S65-8280-18: Broadband, all-metal, DC grounded to provide lightning protection. Stainless steel leading edge for gravel protection. For commuter and corporate aircraft. Eliminates "P" static. Hermetically sealed. Interchangeable with Collins 37R-2, VC10-126, DMC 60 and other VHF communications antennas.

NSN: 5985-01-554-6052

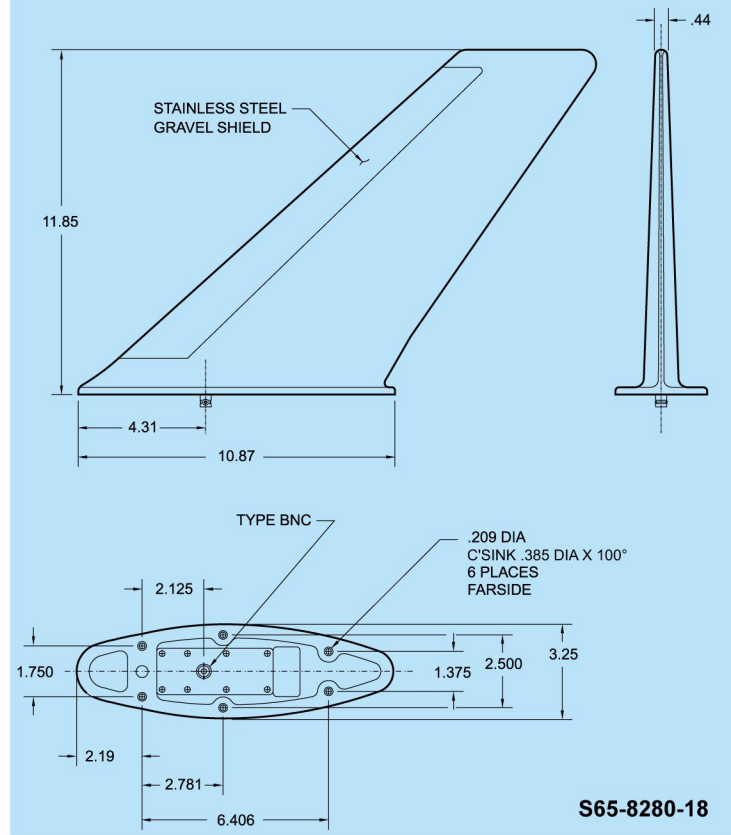
FEDERAL & MILITARY SPECS: FAA TSO C37b and C38b. MIL-STD-810, MIL-E-5400, MIL-A-6271, MIL-A-7772 (ASG), MIL-A-9094, MIL-B-5087.

PERFORMANCE



SPECIFICATIONS	FOR REFERENCE ONLY
Model:	S65-8280-18
ELECTRICAL	
Frequency	116–156 MHz
VSWR	2.0:1
Pattern	Omni/Az; Cos/EI
Polarization	Vertical
Impedance	50 ohms
Power	40 watts
Lightning Protection	DC grounded
MECHANICAL	
Weight	3.3 lbs.
Height	11.85 in.
Material	A356-T61 aluminum casting
Finish	Skydrol-resistant enamel
Connector	BNC
Drag	1.0 lbs. Mach .85 @ 35,000 ft.
ENVIRONMENTAL	
Side Load	12 psi
Temperature	-60°F to +185°F
Vibration	14 Gs
Altitude	60,000 ft.

OUTLINE DRAWING



ISO 9001:2000 and EN/JISQ/AS9100:2004 Registered